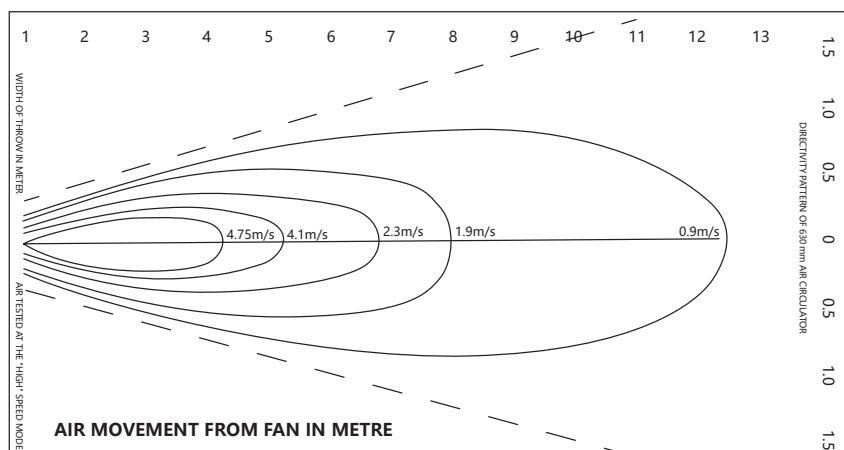


FS63JC 強力工業座地風扇

- 單相電機，電容輔助起動，及配備三速開關制。
- E 級絕緣，內置恆溫器保護裝置。
- 220 - 240 V. 1 Ph, 50 Hz。
- 扇葉採用鋁合金壓鑄而成。扇葉均進行嚴謹的平衡工序。
- 金屬風扇網外表經靜電噴塗處理，美觀耐用。
- 風扇搖擺角度特大，並可自行調整。
- 配備可調高度之直通，7 公斤重之地腳及4米長之3芯電源線。
- 所有銷售型號之地扇均按 IEC60335-2-80 之標準進行測試，並已領有歐盟之安全認證。
- 功率因數 (Power Factor) =0.97。

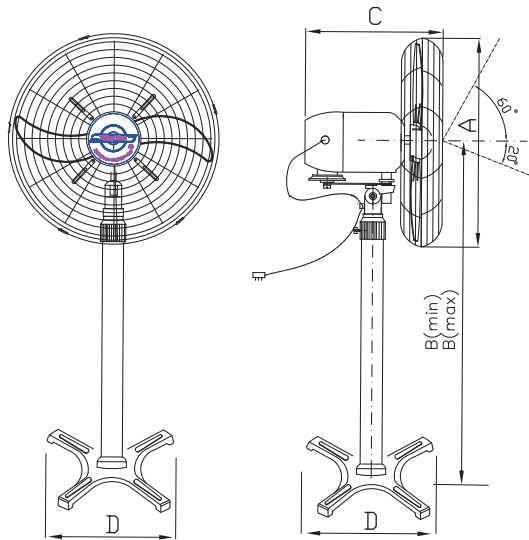


性能參數表

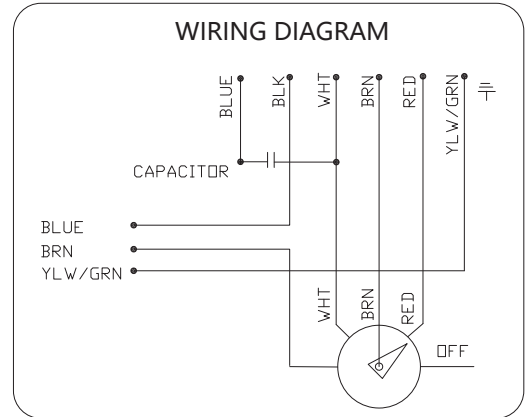
型號 (香港規格)	型號說明	扇葉直徑 inch/mm	額定電壓 V/Ph/Hz	檔位	功率 W	轉速 RPM	風量 m ³ /h	噪音 dB (A)
FS63JC	密網座地扇	25" / 630	220-240/1/50	1檔	130	1200	10000	55
				2檔	150	1300	10800	59
				3檔	170	1420	11800	68

噪音值是在距離風扇2米測量

產品安裝尺寸 (mm) 及維護



Model No	A	B(MAX)	B(MIN)	C	D	G.W(kg)
FS63JC	689	1500	1270	360	665	21.5



INSTALLATION PROCEDURE FOR STANDING FAN

FRONT GUARD
BLADE
REAR GUARD

1. Insert outer standing pipe into the iron base and fasten it with the bolts and nuts provided. Insert inner standing pipe into the outer pipe. Put the motor onto the female supporter as per diagram A. Insert the joint, washer and screw respectively as per diagram B. One side of the joint has rough surface, make sure the surface is faced inside the supporter. M6 screw (as per diagram C) must be fasten.
2. Hold the rear guard on the motor, and fasten by the set screw. Fit the blade onto the shaft, and secure by the screw. Then, fix the rear fan guard.

OPERATION INSTRUCTIONS

1. Voltage varies between countries. The local power supply must be compatible with the technical data shown on the motor data label before the fan is connected to the power source.
2. The plug must be inserted to an earthed socket, which complies with the Safety Regulation of the local authority.
3. For safety purpose, the wall fan is to be installed so that the blades are more than 2.3 metres above the floor.
4. For smooth oscillation of fans, a slack of 0.4m should be left when securing power cord from motor to stand tube or wall tube.(note tag on power cord).
5. For safety purpose, the recommended maximum height for the Pedestal unit is 1.25 meters. (Care must be taken during adjusting the height of the standing fan).
 - > Grip the rubber handle at the top of the inner tube
 - > Using the allen key provided unfasten the screws and adjust the fan to the desirable height.
 - > Tighten the screw and put the allen key back in its pocket at the rubber handle.
6. The fan is fitted with a 3-speed, on & off rotary switch to adjust air velocity (1-low, 2-medium, 3-high and stop/off fan operation).
7. Always turn off the power at the power point and remove plug when maintenance or cleaning is carried out. Failing to do so may cause electric shock or injury as the fan may activate suddenly.
8. When cleaning is carried out
 - > Turn off the power at the power point and remove the plug.
 - > Remove the front guard
 - > Remove the blade from the motor by loosening the blade fixing screw.
 - > Remove the rear guard.
 - > Remove dirt with a cloth moistened with lukewarm water or a household neutral detergent and wipe dry after cleaning.
 - > When re-assembling, use the reverse order of disassembling.Ensure impeller blade is secure and tight on motor shaft.
9. For the best performance and safety, the fan must not be used when:
 - a. Temperature is lower than -15°C or higher than $+40^{\circ}\text{C}$.
 - b. Humidity (at 25°C) is exceeding 90%.
 - c. In a corrosive environment, such as factory producing corrosive chemical.
10. Never try to disassemble, service or modify the fan.This may cause fire, abnormal activation, electric shock or injury. For servicing, contact the store where you purchased the fan.
11. Do not operate the fan without the blade and the guard installed. Doing so may cause injury.
12. Do not damage,forcibly bend, twist,pull or put a heavy object on the supply cord. Doing so may cause electric shock or a short circuit if used whilst damaged. If the supply cord is damaged, it must be replaced with a new cord by the manufacturer ,its service agent or similarly qualified persons in order to avoid a hazard.
13. The fan motor is fitted with a thermal protection device.
If a fault occurs, the fan may start and stop intermittently without warning. This may occur due to irregular power supply or excessively high ambient temperature. However if motor is faulty ,switch off immediately and return fan to the supplier or service agent.
14. This appliance is not intended for use by young children or infirm persons unless they have been adequately supervised by a responsible person to ensure that they can use the appliance safely.
15. Young children should be supervised to ensure that they do not play with the appliance.



Product Service

Attestation of Conformity

No. N8A 16 11 72582 027

Holder of Certificate: WING TON FAN INDUSTRY LIMITED

3C Kam Shing Industiring
1-11 Kwai Wing Road
Kowloon
HONG KONG

Product: Fans
(Stand Fan / Wall Fan)

Model(s): FS50JA, FS50JB, FS50JC, FS63JA, FS63JB, FS63JC, FS65JA, FS65JB, FS65JC, FS75JA, FS75JB, FS75JC, FS76JA, FS76JB, FS76JC, FW50JA, FW50JB, FW50JC, FW50JD, FW50JE, FW50JF, FW50JR, FW50JS, FW63JA, FW63JB, FW63JC, FW63JD, FW63JR, FW63JS, FW65JA, FW65JB, FW65JC, FW65JD, FW65JE, FW65JF, FW65JR, FW65JS, FW75JA, FW75JB, FW75JC, FW75JE, FW75JF, FW75JR, FW76JA, FW76JB, FW76JC, FW76JR

Parameters:
Rated Input : 220-240VAC, 50Hz,
(See page 2 for details)
Protection Class : I
Degree of Protection : IPX0

Tested according to: EN 60335-2-80:2003/A2:2009
EN 60335-1:2012/A11:2014
EN 62233:2008

This Attestation of Conformity is issued on a voluntary basis according to the Low Voltage Directive 2014/35/EU relating to electrical equipment designed for use within certain voltage limits. It confirms that the listed equipment complies with the principal protection requirements of the directive and is based on the technical specifications applicable at the time of issuance. It refers only to the particular sample submitted for testing and certification. See also notes overleaf.

Test report no.: 68110914206


(Kelvin Zeng)



Date, 2016-11-28

CE After preparation of the necessary technical documentation as well as the EU declaration of conformity the required CE marking can be affixed on the product. The declaration of conformity is issued under the sole responsibility of the manufacturer. Other relevant EU-directives have to be observed.

Page 1 of 2

IEC SYSTEM FOR MUTUAL RECOGNITION OF TEST CERTIFICATES FOR ELECTRICAL EQUIPMENT
(IECEE) CB SCHEME

CB TEST CERTIFICATE

Product

Fans
(Stand Fan / Wall Fan)

Name and address of the applicant

**Sam Hing Cheung Fans
And Equipment Limited**
Flat B, 1/F., Kam Shing Industrial Building
1-11 Kwai Wing Road
Kwai Chung
HONG KONG

Name and address of the manufacturer

Sam Hing Cheung Fans And Equipment Limited
Flat B, 1/F., Kam Shing Industrial Building, 1-11 Kwai Wing Road,
Kwai Chung, HONG KONG

Name and address of the factory

FOSHAN SHUNDE SAM HING CHEUNG FANS AND EQUIPMENT
LIMITED
No.1 Building, No.1 Road Guangda Market, Leiliu Town, Shunde
District, 528322 Foshan, PEOPLE'S REPUBLIC OF CHINA

Ratings and principal characteristics

Rated Input : 220-240VAC, 50Hz,
See test report for details
Protection Class : I
Degree of Protection : IPX0

Model/type Ref.

FS50JA, FS50JB, FS50JC, FW50JA, FW50JB, FW50JC,
FW50JD, FW50JE, FW50JF, FW50JR, FW50JS, FS65JA,
FS65JB, FS65JC, FW65JA, FW65JB, FW65JC, FW65JD,
FW65JE, FW65JF, FW65JR, FW65JS, FS75JA, FS75JB,
FS75JC, FS76JA, FS76JB, FS76JC, FW75JA, FW75JB,
FW75JC, FW75JD, FW75JE, FW75JF, FW75JR, FW76JA,
FW76JB, FW76JC, FW76JR, FS63JA, FS63JB, FS63JC,
FW63JA, FW63JB, FW63JC, FW63JD, FW63JR, FW63JA

A sample of the product was tested and found
to be in conformity with

IEC 60335-1:2010
IEC 60335-1:2010/AMD1:2013
IEC 60335-1:2010/AMD2:2016
IEC 60335-2-80:2015

as shown in the Test Report Ref. No.
which forms part of this certificate

211-700455-000

This CB Test Certificate is issued by the National Certification Body

CBS 072582 0033 Rev. 00

Date, 2019-06-26

(Shaochang Liu)

Page 1 of 2

TÜV SÜD PSB Pte Ltd • 1 Science Park Drive • Singapore 118221



PSB Singapore

Zertifikat

Certificate



Zertifikat Nr. *Certificate No.*
R 50105972

Blatt *Page*
0001

Ihr Zeichen *Client Reference*

Unser Zeichen *Our Reference*
05-SLE- 16009569 002

Ausstellungsdatum
01.06.2007

Date of Issue
(day/mo/yr)

Genehmigungsinhaber *License Holder*

Xunde Electrical and Electronic
Co., Ltd.
Juwei Industry Zone
Beijiao, Shunde
Foshan, Guangdong
P.R. China

Fertigungsstätte *Manufacturing Plant*

Xunde Electrical and Electronic
Co., Ltd.
Juwei Industry Zone
Beijiao, Shunde
Foshan, Guangdong
P.R. China

Prüfzeichen *Test Mark*

Geprüft nach *Tested acc. to*
EN 60252-1:2001



Zertifiziertes Produkt (Geräteidentifikation)
Certified Product (Product Identification)

Lizenzentgelte - Einheit
License Fee - Unit

Motor-Kondensator (AC Motor Capacitor)

Type Designation : CBB61 6
Rated Voltage : AC 450V
Class of Operation : Class A
Rated Frequency : 50/60Hz
Rated Capacitance : 0,47µF to 8µF
(Refer to Appendix 1 for Details)
Capacitance Tolerance : ±5%
Climatic Category : 40/85/21
Type of Termination : Tab or lead wire
Class of Safety Protection: P2
Type of Operation : Continuous Operation
Self-healing Capacitor : Yes

Remark : The labelling requirements acc. to EU Directive
2001/95 have to be observed for distribution within the EEA.

6

ANLAGE (Appendix): 1

Dem Zertifikat liegt unsere Prüf- und Zertifizierungsordnung zugrunde.
Das Produkt entspricht den o.g. Anforderungen, die Herstellung wird überwacht.
This certificate is based on our Testing and Certification Regulation. The product
fulfills above mentioned requirements, the production is subject to surveillance.



Zertifizierungsstelle

TÜV Rheinland Product Safety GmbH, Am Grauen Stein, D-51105 Köln
Tel.: (+49/221)8 06 - 13 71 e-mail: cert-validity@de.tuv.com
Fax: (+49/221)8 06 - 39 35 http://www.tuv.com/safety

Dipl.-Ing. (FH) T. Zimmer

Zertifikat

Certificate



Zertifikat Nr. *Certificate No.*
R 50105972

Blatt *Page*
0002

Ihr Zeichen *Client Reference*

Unser Zeichen *Our Reference*
05-YFC- 16009569 004

Ausstellungsdatum
22.11.2013

Date of Issue
(day/mo/yr)

Genehmigungsinhaber *License Holder*
Xunde Electrical and Electronic
Co., Ltd.
Juwei Industry Zone
Beijiao, Shunde
Foshan, Guangdong
P.R. China

Fertigungsstätte *Manufacturing Plant*
Xunde Electrical and Electronic
Co., Ltd.
Juwei Industry Zone
Beijiao, Shunde
Foshan, Guangdong
P.R. China

Prüfzeichen *Test Mark*

Geprüft nach *Tested acc. to*
EN 60252-1:2011



Zertifiziertes Produkt (Geräteidentifikation)
Certified Product (Product Identification)

Lizenzentgelte - Einheit
License Fee - Unit

Motor Capacitor (AC Motor Capacitor)

as page 0001

Change

Test Requirement : see above

Remark : The labelling requirements acc. to EU Directive 2001/95 have to be observed for distribution within the EEA. The installation has to be carried out according to installation instruction accompanying the products.



Zertifizierungsstelle

G. Yin

Dem Zertifikat liegt unsere Prüf- und Zertifizierungsordnung zugrunde und es bestätigt die Konformität des Produktes mit den oben genannten Standards und Prüfgrundlagen. Zusätzliche Anforderungen in Ländern, in denen das Produkt in Verkehr gebracht werden soll, müssen zusätzlich betrachtet werden. Die Herstellung des zertifizierten Produktes wird überwacht.

This certificate is based on our Testing and Certification Regulation and states the conformity of the product with the standards and testing requirements as indicated above. Any additional requirements in countries where the product is going to be marketed have to be considered additionally. The manufacturing of the certified product is subject to surveillance.

TÜV Rheinland LGA Products GmbH - Tillystraße 2 - 90431 Nürnberg
Tel.: (+49/221)8 06 - 13 71 e-mail: cert-validity@de.tuv.com
Fax: (+49/221)8 06 - 39 35 http://www.tuv.com/safety

Zertifikat

Certificate



Zertifikat Nr. *Certificate No.*
R 50105972

Blatt *Page*
0004

Ihr Zeichen *Client Reference*

Unser Zeichen *Our Reference*
05-YFC- 16009569 007

Ausstellungsdatum
13.01.2014

Date of Issue
(day/mo/yr)

Genehmigungsinhaber *License Holder*
Xunde Electrical and Electronic
Co., Ltd.
Juwei Industry Zone
Beijiao, Shunde
Foshan, Guangdong
P.R. China

Fertigungsstätte *Manufacturing Plant*
Xunde Electrical and Electronic
Co., Ltd.
Juwei Industry Zone
Beijiao, Shunde
Foshan, Guangdong
P.R. China

Prüfzeichen *Test Mark*



Geprüft nach *Tested acc. to*
EN 60252-1:2011
IEC 60252-1:2010

Zertifiziertes Produkt (Geräteidentifikation)
Certified Product (Product Identification)

Lizenzentgelte - Einheit
License Fee - Unit

Motor Capacitor (AC Motor Capacitor)

as pages 0001-0002

Change

Test requirement : see above

Addition

Type Designation : CBB61-A
Rated Voltage : AC 250/400V

6

Remark : The labelling requirements acc. to EU Directive 2001/95 have to be observed for distribution within the EEA. The installation has to be carried out according to installation instruction accompanying the products.



6

Dem Zertifikat liegt unsere Prüf- und Zertifizierungsordnung zugrunde und es bestätigt die Konformität des Produktes mit den oben genannten Standards und Prüfgrundlagen. Zusätzliche Anforderungen in Ländern, in denen das Produkt in Verkehr gebracht werden soll, müssen zusätzlich betrachtet werden. Die Herstellung des zertifizierten Produktes wird überwacht. This certificate is based on our Testing and Certification Regulation and states the conformity of the product with the standards and testing requirements as indicated above. Any additional requirements in countries where the product is going to be marketed have to be considered additionally. The manufacturing of the certified product is subject to surveillance.

Zertifizierungsstelle

TÜV Rheinland LGA Products GmbH - Tillystraße 2 - 90431 Nürnberg
Tel.: (+49/221)8 06 - 13 71 e-mail: cert-validity@de.tuv.com
Fax: (+49/221)8 06 - 39 35 http://www.tuv.com/safety

G. Yin